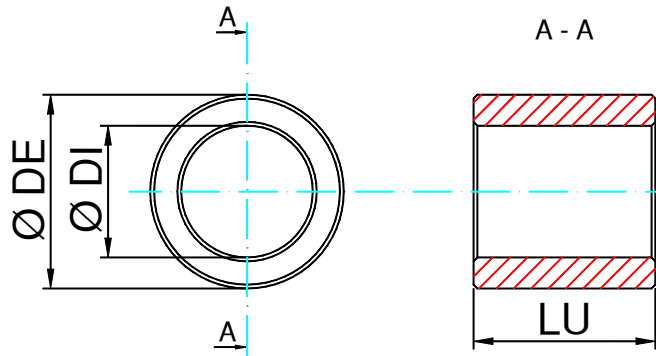
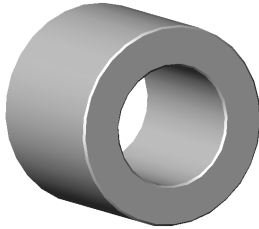
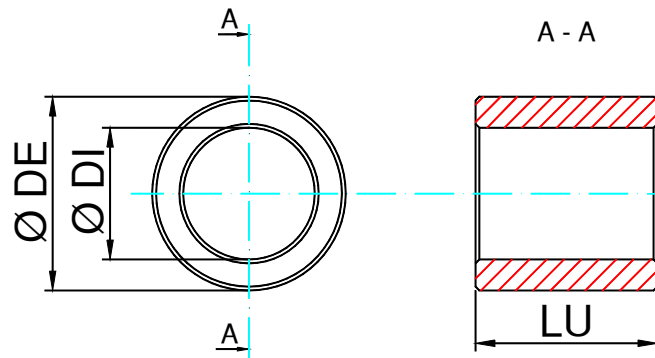
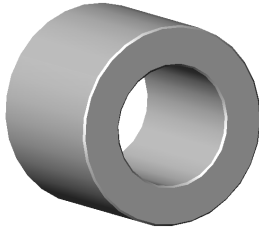


Boccola FE



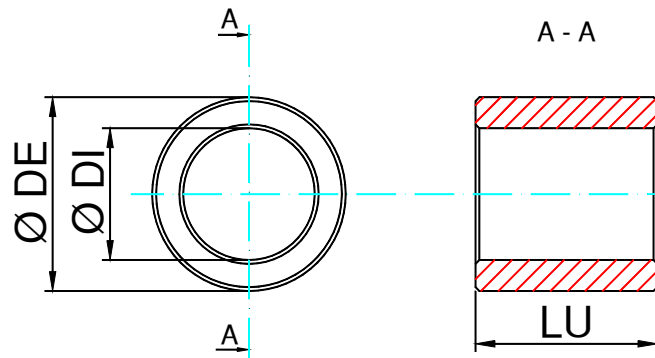
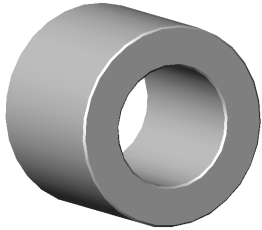
COD.	QUOTE DIMENSIONALI	COD.	QUOTE DIMENSIONALI
1FL00	BOCFL*DE12*DI9*LU60	31FL00	BOCFL*DE34*DI30*LU30
2FL00	BOCFL*DE17*DI11*LU40	32FL00	BOCFL*DE34*DI30*LU40
3FL00	BOCFL*DE20*DI10*LU50	33FL00	BOCFL*DE35*DI16*LU65
4FL00	BOCFL*DE20*DI13*LU70	34FL00	BOCFL*DE35*DI16*LU75
5FL00	BOCFL*DE23*DI20*LU15	35FL00	BOCFL*DE35*FM20*LU35
6FL00	BOCFL*DE23*DI20*LU20	36FL00	BOCFL*DE35*DI21*LU30
7FL00	BOCFL*DE25*DI12*LU50	37FL00	BOCFL*DE35*DI21*LU50
8FL00	BOCFL*DE25*DI16*LU50	38FL00	BOCFL*DE35*DI21*LU60
9FL00	BOCFL*DE25*DI16*LU60	39FL00	BOCFL*DE35*DI21*LU85
10FL00	BOCFL*DE25*DI16*LU65	40FL00	BOCFL*DE35*DI23*LU45
11FL00	BOCFL*DE28*DI25*LU20	41FL00	BOCFL*DE35*DI25*LU18
12FL00	BOCFL*DE28*DI25*LU25	42FL00	BOCFL*DE35*DI25*LU45
13FL00	BOCFL*DE30*DI16*LU100	43FL00	BOCFL*DE35*DI25*LU65
14FL00	BOCFL*DE30*DI16*LU45	44FL00	BOCFL*DE35*DI25*LU72
15FL00	BOCFL*DE30*DI18*LU44	45FL00	BOCFL*DE35*DI25*LU75
16FL00	BOCFL*DE30*DI20*LU30	46FL00	BOCFL*DE35*DI30*LU16
17FL00	BOCFL*DE30*DI20*LU60	47FL00	BOCFL*DE38*DI26*LU140
18FL00	BOCFL*DE30*DI21*LU50	48FL00	BOCFL*DE39*DI35*LU40
19FL00	BOCFL*DE30*DI21*LU60	49FL00	BOCFL*DE39*DI35*LU50
20FL00	BOCFL*DE30*DI21*LU65	50FL00	BOCFL*DE40*DI12*LU12
21FL00	BOCFL*DE30*DI21*LU80	51FL00	BOCFL*DE40*DI20*LU30
22FL00	BOCFL*DE30*DI21*LU87	52FL00	BOCFL*DE40*DI20*LU36
23FL00	BOCFL*DE30*DI21*LU100	53FL00	BOCFL*DE40*DI20*LU40
24FL00	BOCFL*DE30*DI21*LU110	54FL00	BOCFL*DE40*DI20*LU46
25FL00	BOCFL*DE30*DI21*LU239	55FL00	BOCFL*DE40*DI20*LU60
26FL00	BOCFL*DE30*DI22*LU32	56FL00	BOCFL*DE40*DI20*LU65
27FL00	BOCFL*DE30*DI22*LU75	57FL00	BOCFL*DE40*DI20*LU70
28FL00	BOCFL*DE32*DI23*LU54	58FL00	BOCFL*DE40*DI20*LU75
29FL00	BOCFL*DE34*DI30*LU20	59FL00	BOCFL*DE40*DI20*LU80
30FL00	BOCFL*DE34*DI30*LU25	60FL00	BOCFL*DE40*DI20*LU90

Boccola FE



COD.	QUOTE DIMENSIONALI	COD.	QUOTE DIMENSIONALI
61FL00	BOCFL*DE40*DI21*LU37	92FL00	BOCFL*DE40*DI31*LU125
62FL00	BOCFL*DE40*DI22*LU25	93FL00	BOCFL*DE40*DI31*LU125
63FL00	BOCFL*DE40*DI22*LU25	94FL00	BOCFL*DE45*DI21*LU37
64FL00	BOCFL*DE40*DI22*LU35	95FL00	BOCFL*DE45*DI21*LU50
65FL00	BOCFL*DE40*DI22*LU44	96FL00	BOCFL*DE45*DI21*LU60
66FL00	BOCFL*DE40*DI23*LU25	97FL00	BOCFL*DE45*DI25*LU50
67FL00	BOCFL*DE40*DI23*LU42	98FL00	BOCFL*DE45*DI30*LU60
68FL00	BOCFL*DE40*DI23*LU60	99FL00	BOCFL*DE45*DI35*LU14
69FL00	BOCFL*DE40*DI23*LU99	100FL00	BOCFL*DE45*DI35*LU240
70FL00	BOCFL*DE40*DI25*LU35	101FL00	BOCFL*DE45*DI35*LU30
71FL00	BOCFL*DE40*DI25*LU40	102FL00	BOCFL*DE45*DI35*LU60
72FL00	BOCFL*DE40*DI25*LU50	103FL00	BOCFL*DE47*DI40*LU40
73FL00	BOCFL*DE40*DI25*LU60	104FL00	BOCFL*DE48*DI30*LU48
74FL00	BOCFL*DE40*DI25*LU75	105FL00	BOCFL*DE48*DI34*LU84
75FL00	BOCFL*DE40*DI25*LU90	106FL00	BOCFL*DE50*DI25*LU14.5
76FL00	BOCFL*DE40*DI26*LU40	107FL00	BOCFL*DE50*DI25*LU25
77FL00	BOCFL*DE40*DI26*LU85	108FL00	BOCFL*DE50*DI25*LU30
78FL00	BOCFL*DE50*FM36*LU85	109FL00	BOCFL*DE50*DI25*LU50
79FL00	BOCFL*DE50*FM38X1.5*LU90	110FL00	BOCFL*DE50*DI25*LU60
80FL00	BOCFL*DE50*DI40*LU47	111FL00	BOCFL*DE50*DI26*LU50
81FL00	BOCFL*DE35*DI23*LU55	112FL00	BOCFL*DE50*DI26*LU95
82FL00	BOCFL*DE35*DI23*LU100	113FL00	BOCFL*DE50*DI30*LU29
83FL00	BOCFL*DE35*DI25*LU149	114FL00	BOCFL*DE50*DI30*LU40
84FL00	BOCFL*DE40*DI30*LU36	115FL00	BOCFL*DE50*DI30*LU55
85FL00	BOCFL*DE40*DI30*LU50	116FL00	BOCFL*DE50*DI30*LU60
86FL00	BOCFL*DE40*DI30*LU58	117FL00	BOCFL*DE50*DI30*LU70
87FL00	BOCFL*DE40*DI30*LU62	118FL00	BOCFL*DE50*DI30*LU73
88FL00	BOCFL*DE40*DI30*LU83	119FL00	BOCFL*DE50*DI30*LU85
89FL00	BOCFL*DE40*DI30*LU103	120FL00	BOCFL*DE50*FM30*LU85
90FL00	BOCFL*DE40*DI30*LU153	121FL00	BOCFL*DE50*DI30*LU95
91FL00	BOCFL*DE40*DI31*LU125	122FL00	BOCFL*DE50*FM30X3*LU100

Boccola FE



COD.	QUOTE DIMENSIONALI	COD.	QUOTE DIMENSIONALI
123FL00	BOCFL*DE50*DI30*LU110	153FL00	BOCFL*DE70*DI20*LU65
124FL00	BOCFL*DE50*DI30*LU140	154FL00	BOCFL*DE70*DI30*LU50
125FL00	BOCFL*DE50*DI34*LU40	155FL00	BOCFL*DE70*DI30*LU98
126FL00	BOCFL*DE50*DI34*LU47	156FL00	BOCFL*DE70*DI32*LU20
127FL00	BOCFL*DE50*DI34*LU63	157FL00	BOCFL*DE70*DI35*LU95
128FL00	BOCFL*DE50*DI34*LU70	158FL00	BOCFL*DE70*DI40*LU50
129FL00	BOCFL*DE50*DI35*LU50	159FL00	BOCFL*DE70*DI40*LU60
130FL00	BOCFL*DE50*DI35*LU73	160FL00	BOCFL*DE70*DI45*LU55
131FL00	BOCFL*DE50*FM36*LU40	161FL00	BOCFL*DE70*DI50*LU60
132FL00	BOCFL*DE54*DI39*LU50	162FL00	BOCFL*DE70*DI60*LU38
133FL00	BOCFL*DE55*DI25*LU50	163FL00	BOCFL*DE70*DI60*LU50
134FL00	BOCFL*DE55*DI35*LU50	164FL00	BOCFL*DE70*DI60*LU118
135FL00	BOCFL*DE55*DI39*LU120	165FL00	BOCFL*DE70*DI60*LU148
136FL00	BOCFL*DE55*DI45*LU28	166FL00	BOCFL*DE75*DI35*LU25
137FL00	BOCFL*DE57*DI39*LU110	167FL00	BOCFL*DE75*FM64X1.5*LU21
138FL00	BOCFL*DE60*DI27*LU100	168FL00	BOCFL*DE80*DI50*LU65
139FL00	BOCFL*DE60*DI30*LU15	169FL00	BOCFL*DE80*DI50*LU80
140FL00	BOCFL*DE60*DI30*LU22	170FL00	BOCFL*DE80*DI50*LU140
141FL00	BOCFL*DE60*DI30*LU29	171FL00	BOCFL*DE80*DI60*LU45
142FL00	BOCFL*DE60*DI30*LU50	172FL00	BOCFL*DE80*DI70*LU33
143FL00	BOCFL*DE60*DI30*LU90	173FL00	BOCFL*DE80*DI70*LU40
144FL00	BOCFL*DE60*DI30*LU140	174FL00	BOCFL*DE80*DI71*LU130
145FL00	BOCFL*DE60*DI31*LU50	175FL00	BOCFL*DE88*DI55*LU80
146FL00	BOCFL*DE60*DI40*LU117	176FL00	BOCFL*DE90*DI80*LU140
147FL00	BOCFL*DE60*DI40*LU50	177FL00	BOCFL*DE90*DI81*LU70
148FL00	BOCFL*DE60*DI50*LU38	178FL00	BOCFL*DE100*DI62*LU35
149FL00	BOCFL*DE60*DI50*LU316	179FL00	BOCFL*DE100*DI90*LU220
150FL00	BOCFL*DE60*DI50*LU396	180FL00	BOCFL*DE105*DI90*LU150
151FL00	BOCFL*DE60*DI50*LU596	181FL00	BOCFL*DE110*DI68*LU40
152FL00	BOCFL*DE60*FM39X4*LU80	182FL00	BOCFL*DE125*DI110*LU220